



APPROVAL SHEET  
FOR  
MAGNETIC BUZZER

深圳市銳創達電子有限公司

*TAT ELECTRONICS CO. LTD.*

CUSTOMER:

PART NUMBER: BM1032S-0527-30

CUSTOMER PART NO.:

CUSTOMER	APPROVED	CHECKED
SIGNECTURE (Customer)	SIGNECTURE (Company)	

Add: Rm 1610, Pengji Wisdom Center, Bagua 1st Rd, Futian Dist,  
Shenzhen, Guangdong, China

深圳市福田区八卦一路鹏基商务时空 1610

Tel: +86-755-8950 9282, 82370515;

Fax: +86-755-89509880

Email: [tatspeaker@tatelec.com](mailto:tatspeaker@tatelec.com);

[Http:// www.tatelec.com](http://www.tatelec.com).



Specification for magnetic buzzer SMD Type		Update/09C17	Page 2 of 6
		Des.	Chk.
Model No.:	BM1032S-0527-30	Li YanFei	Jiang Yin
		5/21/2021	5/21/2021

## 1. SPECIFICATION

### 1. Technical Parameter

#### Measuring condition

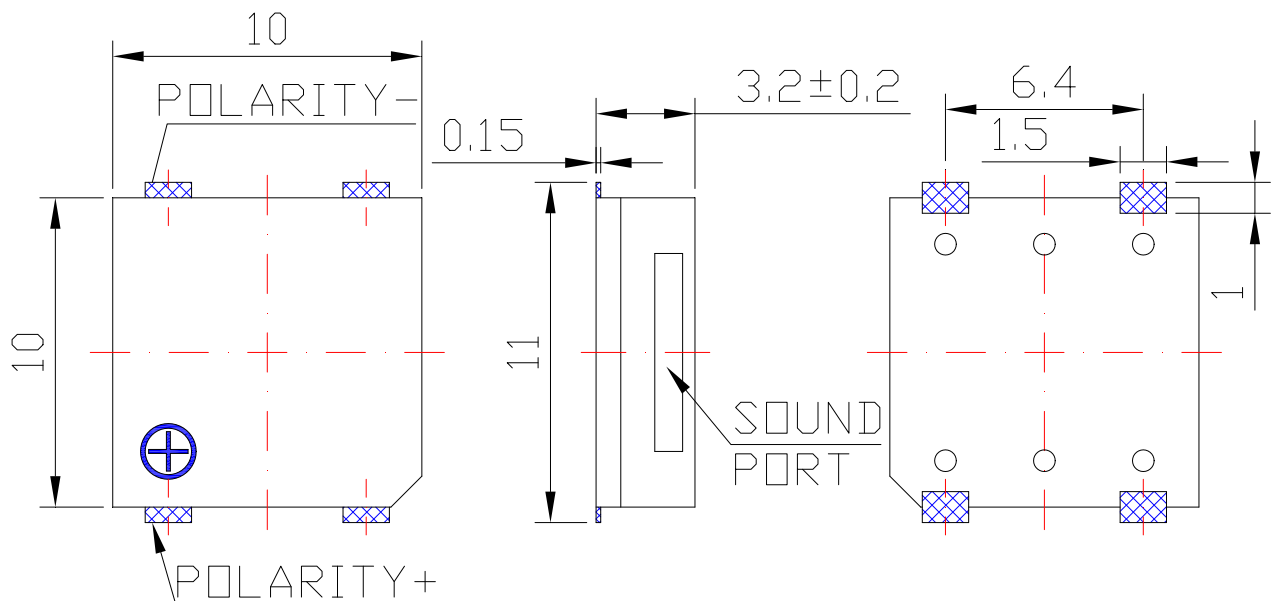
Part shall be measured under a condition (Temperature: 5~35°C, Humidity: 45%~85%R.H., Atmospheric pressure: 860 ~1060hPa) unless the standard condition (Temperature: 25±3°C, Humidity: 60±10%R.H.

Atmospheric pressure: 860 ~1060hPa) is regulated to measure

1	Dimension	10.0×10.0×3.2
2	Net Weight	Approx 0.8g
3	Rated Voltage	5.0 Vo-p
4	Operating Voltage	4.0~6.0Vo-p
5	Rated Current	Max.90mA ,at 2.7KHz 50% duty Square Wave 5.0Vo-p
6	Sound Output	Min. 85dB,at 2.7KHz 50% duty Square Wave 5.0Vo-p
7	Coil Resistance	30±5Ω
8	Resonant Frequency	2700Hz
9	Operating Temperature	-20°C~+70°C
10	Store Temperature	-30°C~+80°C

### Dimensions

Unit: mm





<b>Specification for magnetic buzzer SMD Type</b>		Update/09C17	Page 3 of 6
		Des.	Chk.
<b>Model No.:</b>	BM1032S-0527-30	Li YanFei	Jiang Yin
		5/21/2021	5/21/2021

\*Unit: mm; Tolerance:  $\pm 0.3$ mm Except Specified

\*Housing Material: Black LCP

## 2. Reliability Test

After any following tests the part shall meet specifications without any degradation in appearance and performance except SPL. SPL shall not deviate more than -10 dB from the initial value

### 2.1 Ordinary Temperature Life Test

The part shall be subjected to 96 hours at  $25 \pm 10^\circ\text{C}$ . Input rated voltage Resonant frequency, 1/2 duty Square wave.

### 2.2 High Temperature Test

The part shall be capable of with standing a storage temperature of  $+85^\circ\text{C}$  for 96 hours.

### 2.3 Low Temperature Test

The part shall be capable of with standing a storage temperature of  $-40^\circ\text{C}$  for 96 hours.

### 2.4 Humidity Test

Temperature:  $+40^\circ\text{C} \pm 3^\circ\text{C}$  Relative Humidity: 90%~95% Duration: 48 hours and expose to room temperature for 6 hours

### 2.5 Temperature Shock Test

Temperature:  $70^\circ\text{C}$  /1hour  $\rightarrow$   $25^\circ\text{C}$ /3hours  $\rightarrow$   $-30^\circ\text{C}$ /1hour  $\rightarrow$   $25^\circ\text{C}$ /3hours (1cycle)  
Total cycle: 10 cycles

### 2.6 Drop Test

Standard Packaging From 1.2m (Drop on hard wood or board of 5cm thick, three sides, six plain.)

### 2.7 Vibration Test

Vibration: 1000cycles /min. Amplitude: 1.5mm, Duration: 1 hour in each 3 axes

#### Note:

As this product is not protected from foreign material entering, please make sure that any foreign materials (e.g. magnetic powder, washing solvent, flux, corrosive gas) do not enter this product in your production processes. The functional degradation (e.g. SPL down) may occur if foreign material enter it.

## 3. Electrical And Acoustical Measuring Condition

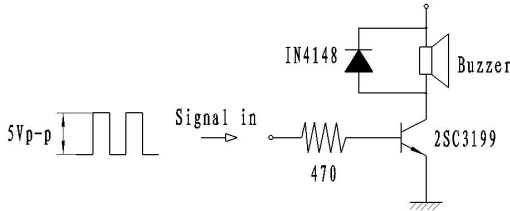


Specification for magnetic buzzer SMD Type		Update/09C17	Page 4 of 6
		Des.	Chk.
Model No.:	BM1032S-0527-30	Li YanFei	Jiang Yin
		5/21/2021	5/21/2021

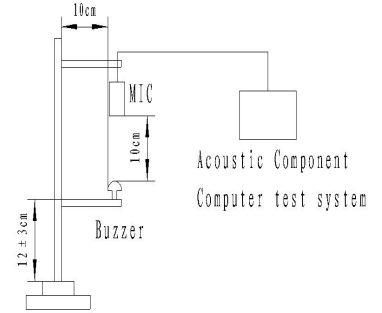
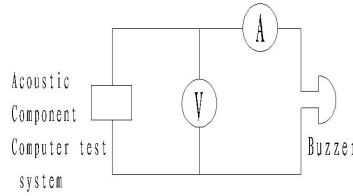
### 3.1 Recommended Driving Circuit

Resonant frequency, 1/2 duty cycle.

Square wave. Signal amplitude should be large enough to saturate the transistor.



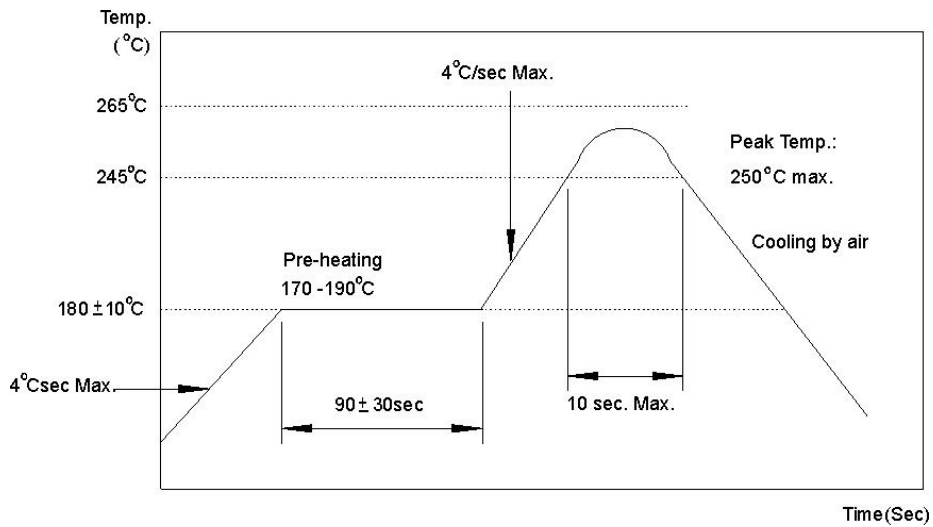
### 3.2 Recommended Setting



## 4. Surface mounting condition

### 5.1 Reflow soldering

Recommendable reflow soldering condition is as follows.



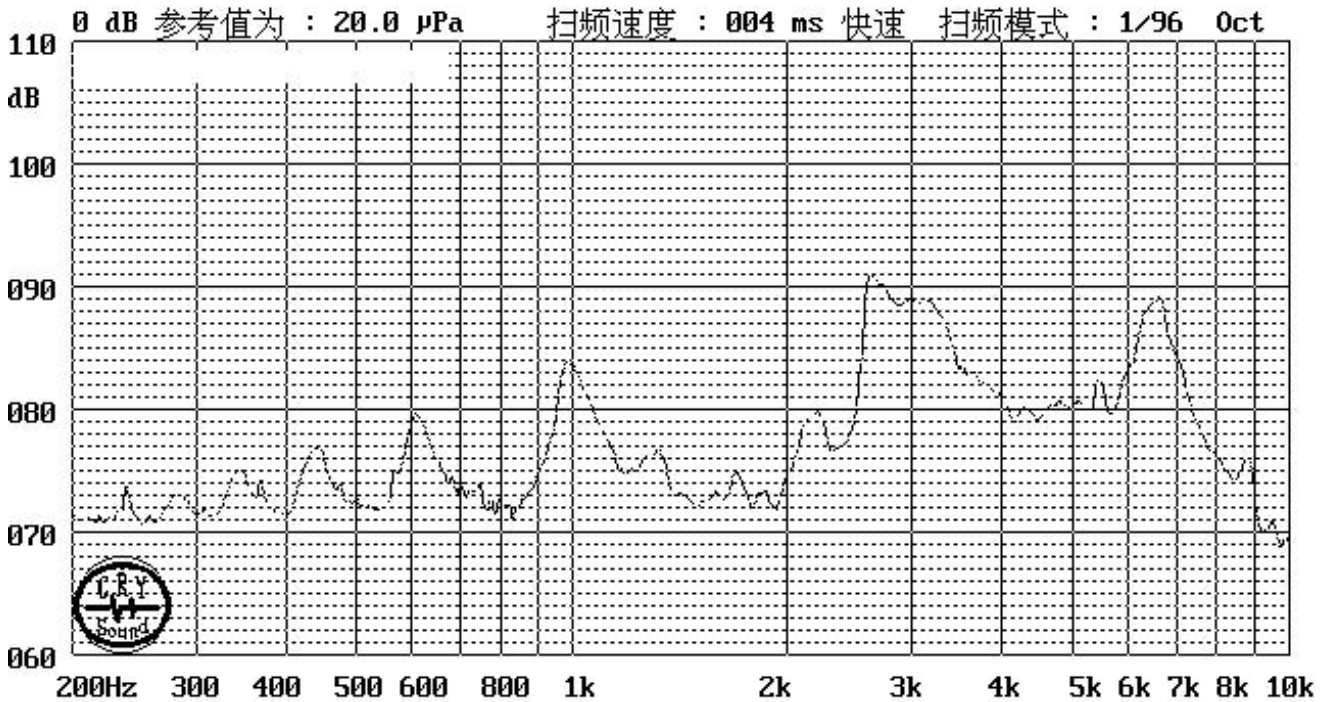
**Note:** (1) In automated mounting of the SMD sound transducers on PCB, any bending, expanding and pulling forces or shocks against the SMD sound transducers shall be kept minimum to prevent them from electrical failures and mechanical damages of the devices.

(2) In the reflow soldering, too high soldering temperatures and too large temperature Gradient such as rapid heating or cooling may cause electrical failures and mechanical damages of the devices.



Specification for magnetic buzzer SMD Type		Update/09C17	Page 5 of 6
		Des.	Chk.
Model No.:	BM1032S-0527-30	Li YanFei	Jiang Yin
		5/21/2021	5/21/2021

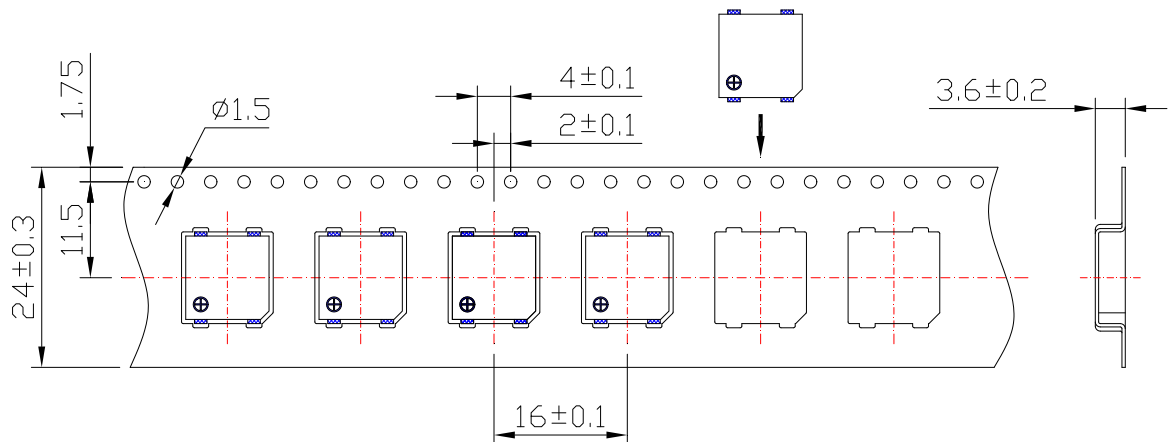
## 5. Frequency Response



3.6Vo-p 50% duty Square wave, 10cm

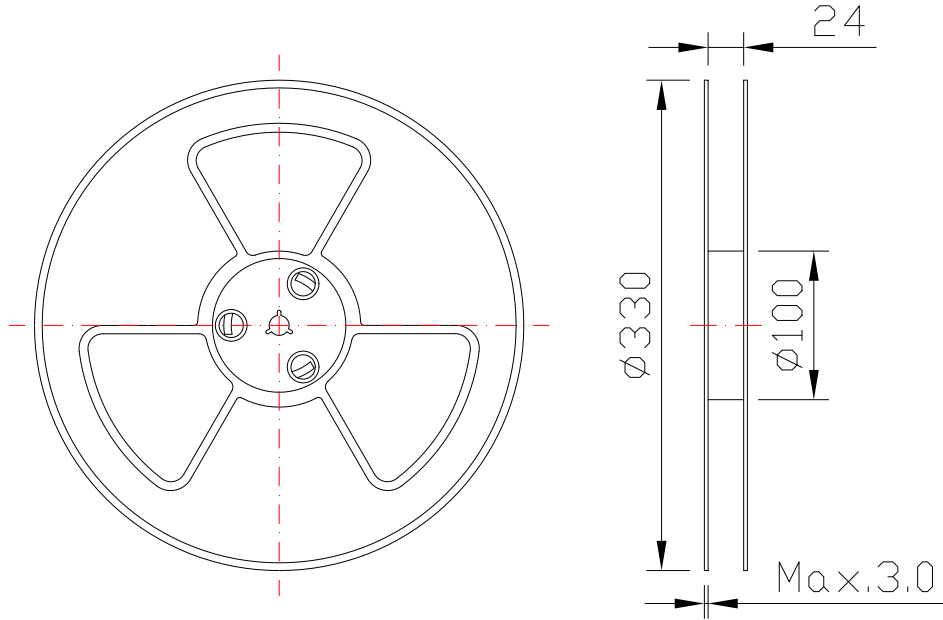
## 6. Packing

### 5.1 Dimension Of Carrier Tape

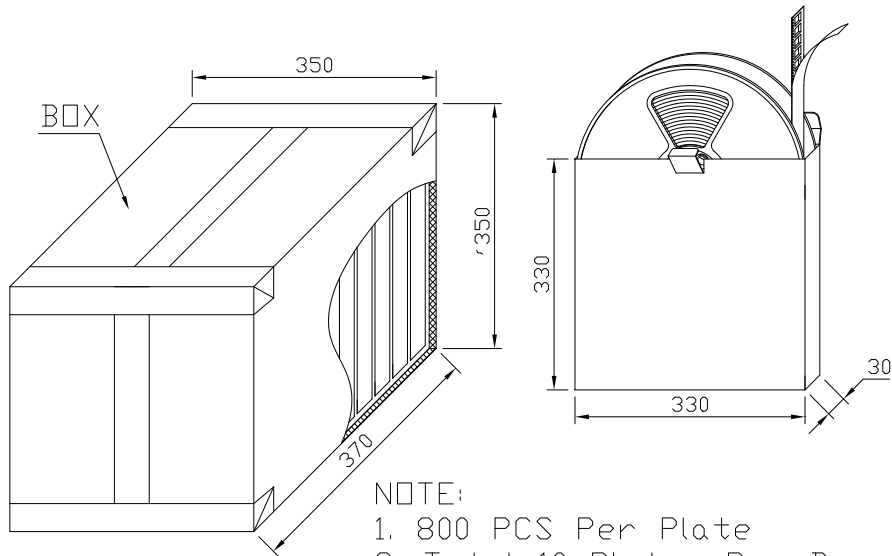




Specification for magnetic buzzer SMD Type		Update/09C17	Page 6 of 6
		Des.	Chk.
Model No.:	BM1032S-0527-30	Li YanFei	Jiang Yin
		5/21/2021	5/21/2021



### 5.2 Dimension Of Plastic Reel



NOTE:

1. 800 PCS Per Plate
2. Total 10 Plates Per Box.
3. Total 8000 PCS Per Box.
4. The Size of Box: 35\*35\*37cm